

Contact

Andrea Trautmann
Marketing Communications
Coperion GmbH
Niederbieger Str. 9
88250 Weingarten / Germany

Telephone +49 (0)751 408 578
Fax: +49 (0) 751 408 99 578
andrea.trautmann@coperion.com
www.coperion.com

Press Release

Proven FX Rotor Extraction System Now in Linear Design

New Full Access System for Rotary Valves Simplifies Access and Cleaning

Weingarten, September 2023 – At Powtech 2023 (26-28 September 2023, Nuremberg/Germany), Coperion is presenting a new development within the proven FX full access series for rotary valves in Hall 4 at Booth 4-370. Alongside the proven FXS system with the swing-out configuration, there is now the FXL linear version available for easy extraction of the rotor from the housing, creating simplified, linear access to the valve's interior. The new FXL extraction device not only allows for secure and simple handling but also offers high reliability. This system is especially suited for larger rotary valves and is ideal wherever strict hygienic requirements are in force and the rotary valves must be cleaned often.

FX Full Access System for strict hygienic requirements

Coperion FX (full access) extraction devices for rotary valves have been developed especially for applications with strict hygienic requirements in food production. These systems offer free, unimpeded access to the rotary valve's interior, for fast and easy cleaning or inspection. The newly developed FXL system is equipped with side-mounted linear guide bars that allow the rotor to be extracted from the housing with great ease and then later precisely re-installed without hindering access to the housing's interior. By using a hinge, the extracted rotor can be swung to the side in various positions and pushed to the back along the guide bars. With these individual options, both the valve interior as well as the pivotable rotor itself can be optimally cleaned, even under conditions where space is tight. The guide bars are equipped with shaft

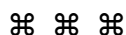
September 2023

seals on both sides of each bearing to ensure hygienic sealing. An ergonomic handle makes it easy to pull the rotor out and push it back into place. The side cover on the drive side can swing to the side, allowing for complete access to the valve from both sides. Along with optimized handling for cleaning, the system demonstrates low wear as well as long operational life and corresponding cost savings. The linear system can be retrofitted on existing rotary valves.

In order to fulfill the increased hygiene demands upon food manufacturers, Coperion has also optimized the manufacture of the rotary valves themselves. By using housings of optimized casting quality, the new rotary valves exhibit smooth outside surfaces with very little ribbing — ideal for easily removing product buildup that may collect on the rotary valve in the production environment.

About Coperion

Coperion (www.coperion.com) is a global industry and technology leader in specialized equipment for the food and health industries. Coperion develops, produces, and services plants, machinery, and components for the food, pet food, baking, pharmaceutical, and cosmetics industries. Its brands – Bakon, Coperion K-Tron, Diosna, Gabler, Peerless, Shaffer, Shick Esteve, Unifiller, and VMI – are experts in ingredient automation, pre-dough systems, mixing, and depositing technologies. Coperion employs 4,000 people in its three divisions Polymer, Food, Health & Nutrition, and Aftermarket Sales & Service, and in its 40 sales and service companies worldwide. Coperion is an Operating Company of Hillenbrand (NYSE: HI), a global industrial company that provides highly-engineered, mission-critical processing equipment and solutions to customers serving a wide variety of industries around the world. www.hillenbrand.com



Dear Colleagues,

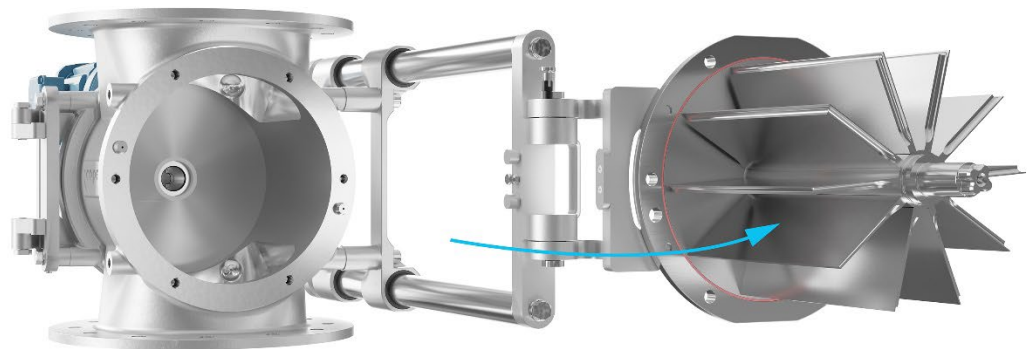
You can find and download this [press release in German and English](#) and [print-ready color images](#) at

<https://www.coperion.com/en/news-media/newsroom/>

Editorial contact and copies:

Dr. Jörg Wolters, KONSENS Public Relations GmbH & Co. KG,
Hans-Böckler-Str. 20, D - 63811 Stockstadt am Main, GERMANY
Tel.: +49 (0)60 27/ 99 00 5--0
E-Mail: mail@konsens.de, Internet: www.konsens.de

September 2023



The newly developed FXL extraction system is suited for especially safe and simple cleaning, providing free access to the rotary valve interior, and is thus ideal for applications with the strictest hygienic requirements.

Photo: Coperion, Weingarten, Germany